



Simplex Basket Strainer



The basket filter is mainly composed of a stainless steel cylinder body, the filter basket, import and export pipe fittings, flange, a top cover, fasteners and other components. When the liquid through the inlet into the filter basket, the solid impurity particles blocked in the filter basket, and the cleanness of the fluid through the filter basket, discharged from the outlet of the filter. When cleaning, unscrew the top of the bolt, net fluid, remove flange, you can reload after cleaning. Use and maintenance is very convenient.



● 石油化工

● 食品饮料

● 精细化工

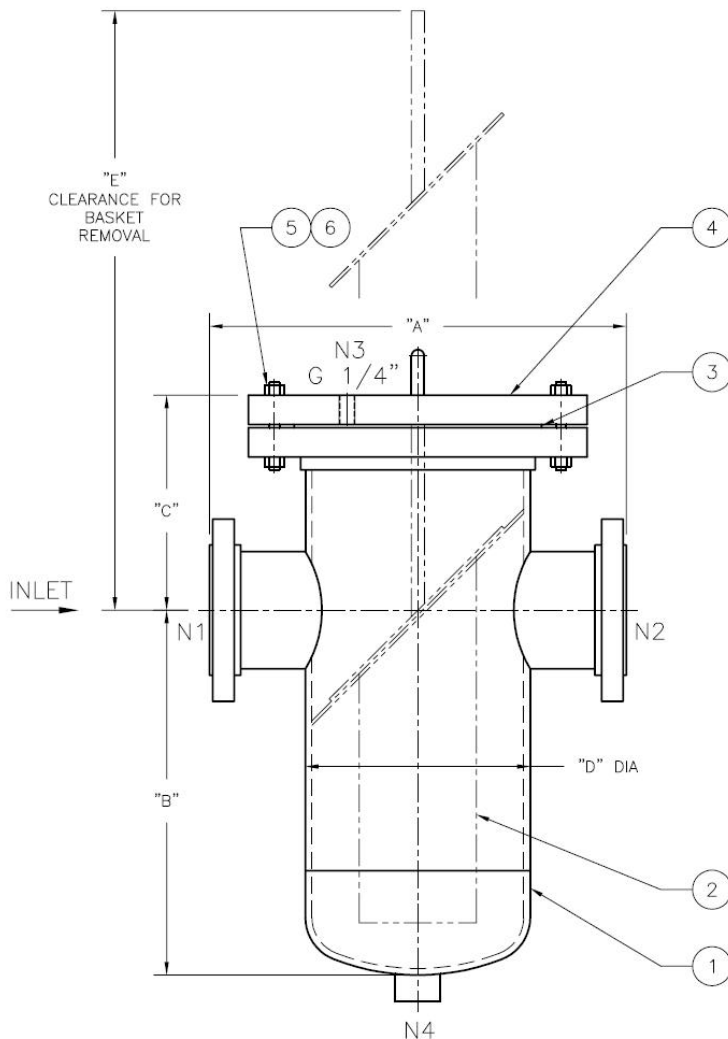
● 电子半导体

● 生物制药

● 水处理



Basket Strainer Engineering Drawing

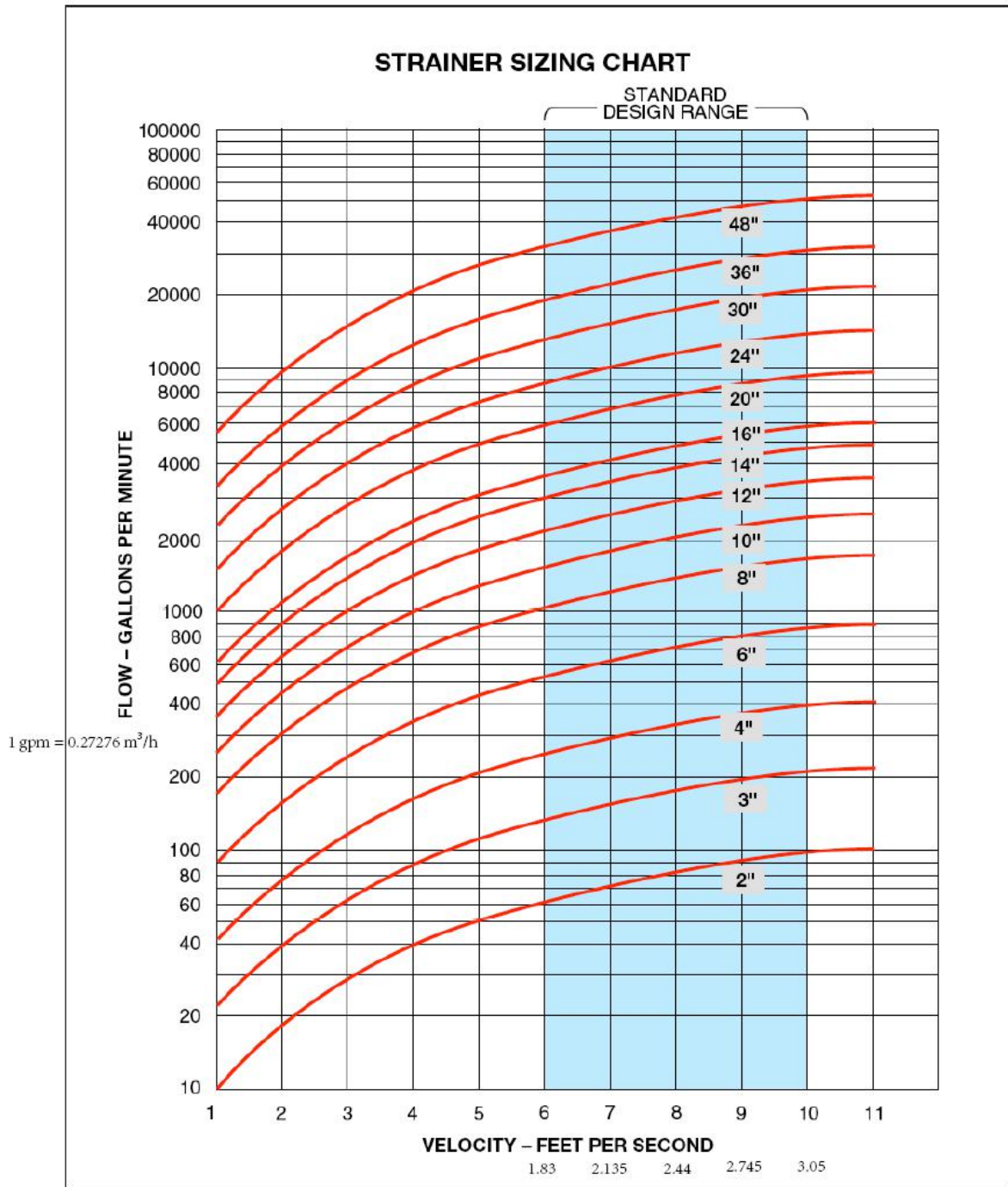


Features

- Standard size strainer from 1.5" to 52" and design accordance to ASME b16.5 class 150, 300, 600, 1500 DIN and JIS standard.
- Design accordance to ASME
- Material: SS304, SS316L
- Wire Mesh - either in single or multi-layer of selected material
- Bolted type and quick opening cover design strainer available
- Flow Rate from 1m³/h to 1000m³/h in single strainer

| DIMENSIONS | | | | | | | APPROX. WEIGHT LBS. KG | PART NO. |
|--------------------|--------------|--------------|-------------|-------------|--------------|--------------|------------------------------|--------------|
| N1/N2 (NOMINAL) | A IN. MM | B IN. MM | C IN. MM | D IN. MM | E IN. MM | N4 IN. MM | | |
| 1.5 (40mm) | 9.00 / 228 | 7.00 / 178 | 4.50 / 114 | 3.00 / 88.9 | 12.00 / 305 | 1/2 (15) | 26 / 11.8 | ST-10-A-015A |
| 2 (50mm) | 14.00 / 356 | 12.00 / 305 | 7.00 / 178 | 6.63 / 168 | 23.00 / 584 | 1/2 (15) | 95 / 43.1 | ST-10-A-020A |
| 3 (80mm) | 15.00 / 381 | 12.50 / 318 | 8.00 / 203 | 6.63 / 168 | 24.00 / 610 | 1/2 (15) | 103 / 46.7 | ST-10-A-030A |
| 4 (100mm) | 16.00 / 406 | 14.00 / 356 | 8.25 / 210 | 8.63 / 219 | 28.00 / 711 | 1 (25) | 170 / 77.1 | ST-10-A-040A |
| 5 (125mm) | 16.00 / 406 | 15.00 / 381 | 9.50 / 241 | 10.75 / 273 | 32.00 / 813 | 1 (25) | 230 / 104.3 | ST-10-A-050A |
| 6 (150mm) | 20.00 / 508 | 17.00 / 432 | 9.50 / 241 | 10.75 / 273 | 34.00 / 864 | 1 (25) | 240 / 108.9 | ST-10-A-060A |
| 8 (200mm) | 22.00 / 559 | 21.00 / 533 | 11.00 / 279 | 12.75 / 324 | 41.00 / 1041 | 1-1/2 (40) | 340 / 154.2 | ST-10-A-080A |
| 10 (250mm) | 32.00 / 813 | 25.00 / 635 | 13.00 / 330 | 16.00 / 406 | 47.50 / 1207 | 1-1/2 (40) | 600 / 272.2 | ST-10-A-100A |
| 12 (300mm) | 35.00 / 889 | 28.00 / 711 | 14.50 / 368 | 18.00 / 457 | 53.00 / 1346 | 1-1/2 (40) | 770 / 349.3 | ST-10-A-120A |
| 14 (350mm) | 37.00 / 940 | 33.00 / 838 | 15.75 / 400 | 20.00 / 508 | 61.00 / 1549 | 2 (50) | 970 / 440.0 | ST-10-A-140A |
| 16 (400mm) | 42.00 / 1067 | 36.00 / 914 | 18.25 / 464 | 24.00 / 610 | 68.00 / 1727 | 2 (50) | 1360 / 616.9 | ST-10-A-160A |
| 18 (450mm) | 42.00 / 1067 | 39.00 / 991 | 18.25 / 464 | 24.00 / 610 | 70.00 / 1778 | 2 (50) | 1400 / 635.0 | ST-10-A-180A |
| 20 (500mm) | 43.00 / 1092 | 44.00 / 1118 | 21.75 / 553 | 30.00 / 762 | 82.00 / 2083 | 2 (50) | 1920 / 870.9 | ST-10-A-200A |
| 24 (600mm) | 48.00 / 1219 | 60.00 / 1524 | 21.75 / 553 | 30.00 / 762 | 96.00 / 2438 | 2 (50) | 2200 / 997.9 | ST-10-A-240A |

Basket Strainer Chart



1英尺=0.305米

备注: 1 gpm = 0.27276 m³/h 1 英尺=0.305 米 流速尽量不要超过 2.4 米每秒

Precision Filtration (Shanghai) Co., Ltd.

No.85 Kangong Road, Qingpu District, Shanghai 201317, P.R.China
 Tel.: +86-21-5923 8005
 Fax: +86-21-5923 8006
 Email: sales@precisionfiltrationsh.com
 Website: www.precisionfiltrationsh.com



www.precisionfiltrationsh.com
 Industrial Liquid Filtration Solutions