



Simplex Basket Strainer



The basket filter is mainly composed of a stainless steel cylinder body, the filter basket, import and export pipe fittings, flange, a top cover, fasteners and other components. When the liquid through the inlet into the filter basket, the solid impurity particles blocked in the filter basket, and the cleanness of the fluid through the filter basket, discharged from the outlet of the filter. When cleaning, unscrew the top of the bolt, net fluid, remove flange, you can reload after cleaning. Use and maintenance is very convenient.



● 石油化工

● 食品饮料

● 精细化工

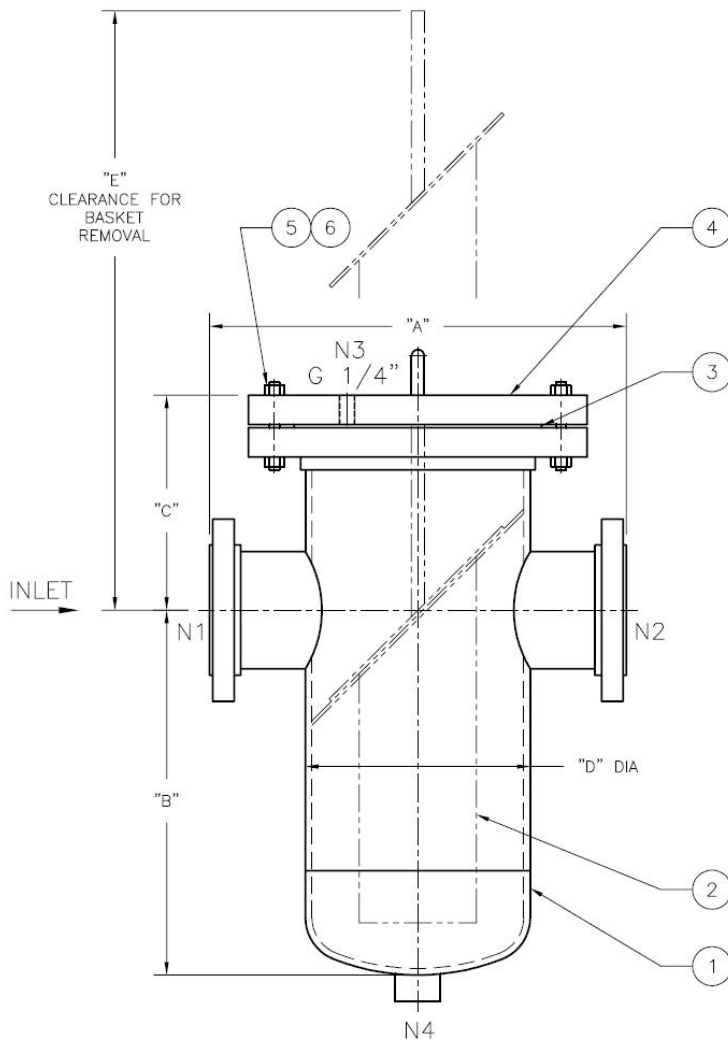
● 电子半导体

● 生物制药

● 水处理



Basket Strainer Engineering Drawing

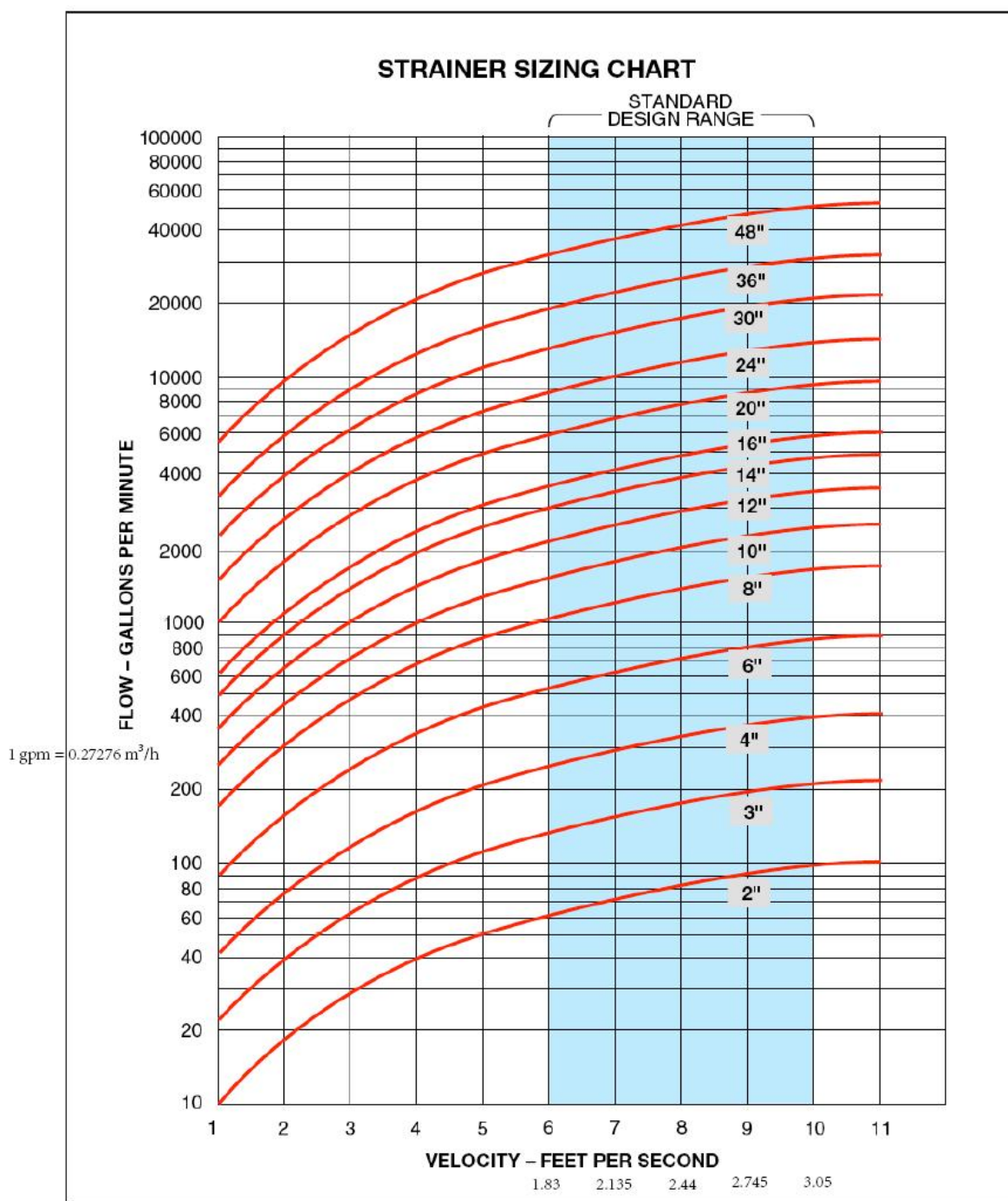


Features

- Standard size strainer from 1.5" to 52" and design accordance to ASME b16.5 class 150, 300, 600, 1500 DIN and JIS standard.
- Design accordance to ASME
- Material: SS304, SS316L
- Wire Mesh - either in single or multi-layer of selected material
- Bolted type and quick opening cover design strainer available
- Flow Rate from 1m³/h to 1000m³/h in single strainer

DIMENSIONS							APPROX. WEIGHT LBS. KG	PART NO.
N1/N2 (NOMINAL)	A IN. MM	B IN. MM	C IN. MM	D IN. MM	E IN. MM	N4 IN. MM		
1.5 (40mm)	9.00 / 228	7.00 / 178	4.50 / 114	3.00 / 88.9	12.00 / 305	1/2 (15)	26 / 11.8	ST-10-A-015A
2 (50mm)	14.00 / 356	12.00 / 305	7.00 / 178	6.63 / 168	23.00 / 584	1/2 (15)	95 / 43.1	ST-10-A-020A
3 (80mm)	15.00 / 381	12.50 / 318	8.00 / 203	6.63 / 168	24.00 / 610	1/2 (15)	103 / 46.7	ST-10-A-030A
4 (100mm)	16.00 / 406	14.00 / 356	8.25 / 210	8.63 / 219	28.00 / 711	1 (25)	170 / 77.1	ST-10-A-040A
5 (125mm)	16.00 / 406	15.00 / 381	9.50 / 241	10.75 / 273	32.00 / 813	1 (25)	230 / 104.3	ST-10-A-050A
6 (150mm)	20.00 / 508	17.00 / 432	9.50 / 241	10.75 / 273	34.00 / 864	1 (25)	240 / 108.9	ST-10-A-060A
8 (200mm)	22.00 / 559	21.00 / 533	11.00 / 279	12.75 / 324	41.00 / 1041	1-1/2 (40)	340 / 154.2	ST-10-A-080A
10 (250mm)	32.00 / 813	25.00 / 635	13.00 / 330	16.00 / 406	47.50 / 1207	1-1/2 (40)	600 / 272.2	ST-10-A-100A
12 (300mm)	35.00 / 889	28.00 / 711	14.50 / 368	18.00 / 457	53.00 / 1346	1-1/2 (40)	770 / 349.3	ST-10-A-120A
14 (350mm)	37.00 / 940	33.00 / 838	15.75 / 400	20.00 / 508	61.00 / 1549	2 (50)	970 / 440.0	ST-10-A-140A
16 (400mm)	42.00 / 1067	36.00 / 914	18.25 / 464	24.00 / 610	68.00 / 1727	2 (50)	1360 / 616.9	ST-10-A-160A
18 (450mm)	42.00 / 1067	39.00 / 991	18.25 / 464	24.00 / 610	70.00 / 1778	2 (50)	1400 / 635.0	ST-10-A-180A
20 (500mm)	43.00 / 1092	44.00 / 1118	21.75 / 553	30.00 / 762	82.00 / 2083	2 (50)	1920 / 870.9	ST-10-A-200A
24 (600mm)	48.00 / 1219	60.00 / 1524	21.75 / 553	30.00 / 762	96.00 / 2438	2 (50)	2200 / 997.9	ST-10-A-240A

Basket Strainer Chart



1英尺=0.305米

备注: 1 gpm = 0.27276 m³/h 1 英尺=0.305 米 流速尽量不要超过 2.4 米每秒

Precision Filtration (Shanghai) Co., Ltd.

No.225, Hufa Road, Fengxian District, Shanghai 201415, P.R.China
 Tel.: +86-21-5923 8005
 Fax: +86-21-5923 8006
 Email: sales@precisionfiltrationsh.com
 Website: www.precisionfiltrationsh.com



www.precisionfiltrationsh.com
 Industrial Liquid Filtration Solutions