



# Precision Filtration (Shanghai) Co., Ltd.

Industrial Liquid Filtration Solutions

Data Sheet • EF Vessel



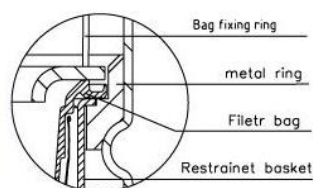
## Economical Bag Filter Vessel • EF

### Simple and Cost Effective!

Economical side inlet bag filter vessel to meet your cost budget requirement in filtration equipment selection, yet providing a good sealing mechanism, strongly recommend for water filtration process.

### Features

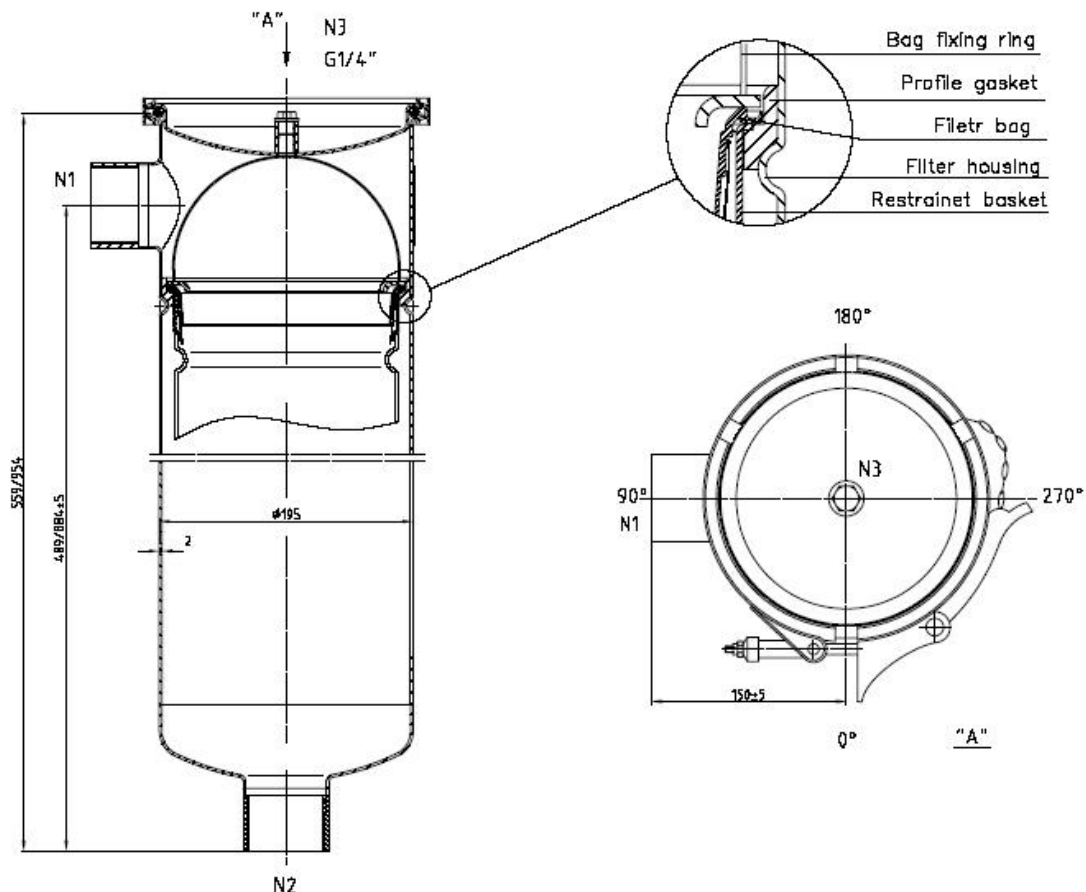
- Most cost effective vessel in the market
- Four housing sizes 01#, 02#, 03#, 04#
- Basket with Viton profile gasket for sealing
- Quick V-clamp closure, without the need for any tools to open
- Fix perfectly with all standard bags
- Maximum operating pressure: 6 bar
- Maximum operating temperature: 120 Deg C
- Inlet/outlet BSP 2 inch and BSP 1 1/2 inch socket
- Material of construction: SS304 or SS316
- Surface finish: bead blasted
- Mounting legs to adjust vessel height for available option



## EF Vessel Engineering Specifications

Vessel Type		EF1A1-6-020B	EF1A2-6-020B	EF1A3-9-015B	EF1A4-9-015B
Filter Bag Size		Size 01	Size 02	Size 03	Size 04
Filter Area		0.25m <sup>2</sup>	0.50m <sup>2</sup>	0.09m <sup>2</sup>	0.16m <sup>2</sup>
Theoretical Flow Rate		20m <sup>3</sup> /hour	40m <sup>3</sup> /hour	6m <sup>3</sup> /hour	12m <sup>3</sup> /hour
Maximum Operating Pressure		6.0bar	6.0bar	9.0bar	9.0bar
Maximum Operating Temperature		220°C	220°C	220°C	220°C
Material of Construction	All Wetted Parts	Type 304 or 316L stainless steel			
	Restrainer Basket				
Seal Material		Buna, EPDM, Viton, PTFE, Viton+PTFE			
Standard Inlet/Outlet		BSP 2" Socket		BSP 1 1/2" Socket	
Surface Finish		Glass Bead Blasted (standard)			
Filter Volume		15.5 litres	27.5 litres	3.0 litres	4.5 litres
Housing Weight		11kg (approx.)	16kg (approx.)	4kg (approx.)	5kg (approx.)
Installation Height		98cm (approx.)	181cm (approx.)	59cm (approx.)	90cm (approx.)
Installation Space		50cm x 50cm (approx.)		25cm x 25cm (approx.)	

## EF Vessel Engineering Drawing



## EF Vessel Ordering Information

EF1	A1-	6-	020B
1 - Single Bag Vessel	A - SS304 S - SS316 SL - SS316L	6 Bar 9 Bar	B – BSP Socket N – NPT Socket A – ANSI Flange J – JIS Flange D – DIN Flange
2 - Double Bag Vessel	1 - #01 2 - #02 3 - #03 4 - #04		1" – 010 1.5" – 015 2" – 020

### Options

- JIS / DIN flange connection
- Flexible inlet/ outlet orientation
- Heating jacket for high viscosity liquid
- SS304/ SS316L material available

### Accessories

- Displacement balloon for easy bag changing
- Magnetic bar for metallic particle retention
- Mesh basket to convert to strainer
- Duo units for double flow also available

### Applications

- Chemicals
- Pharmaceutical
- Food & Beverage
- Paint
- Automotive Coating
- Oil Refinery
- Marine
- Water Treatment
- Semiconductors & Electronic
- Solvent Filtration
- Edible Oil Filtration
- Adhesive Filtration
- Paint Filtration
- Ink Filtration
- Metal Washing

## Precision Filtration (Shanghai) Co., Ltd.

No.225, Hufa Road, Fengxian District, Shanghai 201415, P.R.China  
 Tel.: +86-21-5923 8005  
 Fax: +86-21-5923 8006  
 Email: sales@precisionfiltrationsh.com  
 Website: www.precisionfiltrationsh.com



[www.precisionfiltrationsh.com](http://www.precisionfiltrationsh.com)  
**Industrial Liquid Filtration Solutions**