



Precision Filtration (Shanghai) Co., Ltd.

Industrial Liquid Filtration Solutions

Data Sheet • SF Vessel



Side Entry Bag Filter Vessel · SF

Versatile design for most of industry applications!

Our side entry bag filter design to give you the convenient in handling your filtration process, easy opening mechanism and bag filter fixing ring to ensure good sealing for both plastic collar fully welded bag filter and sewn felt or NMO bag filter. It is suitable for general filtration requirement in all the industrial applications with liquid of low to medium viscosity.

Features

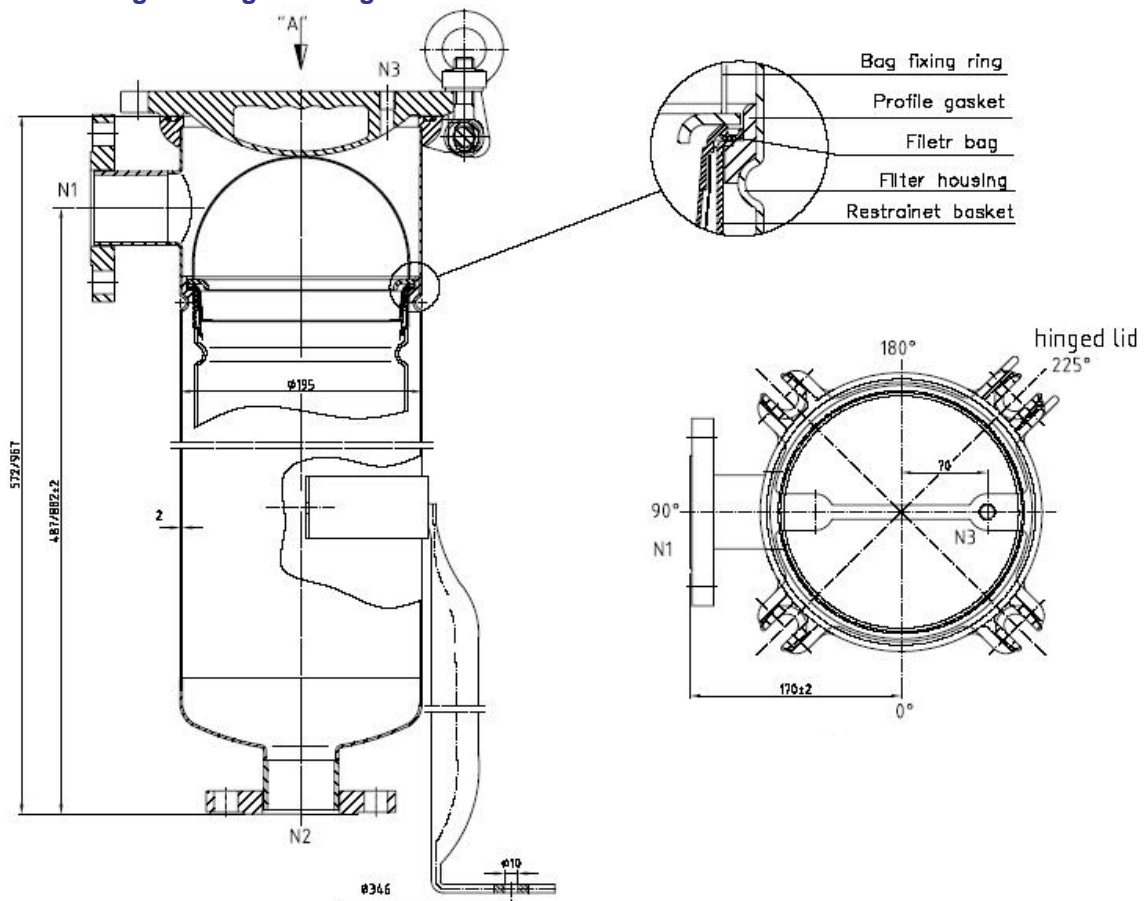
- Four housing sizes 01#, 02#, 03#, 04#
- Versatile design for convenience handling
- Swing eye bolt closure construction
- Unique design for perfect bag sealing
- Fix perfectly with all standard bags
- Non code design
- 10 bar operating pressure at 120 Deg C
- Solid metal sealing with O ring of Viton enable to hold tight of the filter basket for high viscosity liquid, to prevent from dropping down due to shear force.



SF Vessel Engineering Specifications

Vessel Type		SF1A1-10-020A	SF1A2-10-020A	SF1A3-21-040B	SF1A4-21-040B
Filter Bags Size		Size 01	Size 02	Size 03	Size 04
Filter Area		0.25m ²	0.50m ²	0.09m ²	0.16m ²
Theoretical Flow Rate		20m ³ /hour	40m ³ /hour	6m ³ /hour	12m ³ /hour
Maximum Operating Pressure		10.0bar	10.0bar	21.0bar	21.0bar
Maximum Operating Temperature		220 Deg C	220 Deg C	220 Deg C	220 Deg C
Material of Construction	All Wetted Parts	SS304 or SS316L			
	Restrainer Basket				
Seal Material		Buna, EPDM, Viton, PTFE, Viton+PTFE			
Standard Inlet/Outlet		2" flange or BSP 2" socket		BSP 1 1/2" socket	
Surface Finish		Glass Bead Blasted (standard)			
Filter Volume		15.5 litres	27.0 litres	3.0 litres	4.5 litres
Housing Weight		11kg (approx.)	16kg (approx.)	4kg (approx.)	5kg (approx.)
Installation Height		98cm (approx.)	181cm (approx.)	59cm (approx.)	90cm (approx.)
Installation Space		50cm x 50cm (approx.)		25cm x 25cm (approx.)	

SF Vessel Engineering Drawing



SF Vessel Ordering Information

SF1	A1-	10-	020A
1 - Single Bag Vessel	A - SS304 S - SS316 SL - SS316L	10 Bar 16 Bar 21 Bar	B – BSP Socket N – NPT Socket A - ANSI Flange J - JIS Flange D - DIN Flange
2 - Double Bag Vessel	1 - #01 2 - #02 3 - #03 4 - #04		2" – 020 2.5" – 025 3" – 030

Options

- JIS / DIN flange connection
- Flexible inlet/ outlet orientation
- Heating jacket for high viscosity liquid
- SS304/ SS316L material available

Accessories

- Displacement balloon for easy bag changing
- Magnetic bar for metallic particle retention
- Mesh basket to convert to strainer
- Duo units for double flow also available

Applications

- Chemicals
- Pharmaceutical
- Food & Beverage
- Paint
- Automotive Coating
- Oil Refinery
- Marine
- Water Treatment
- Semiconductors & Electronic
- Solvent Filtration
- Edible Oil Filtration
- Adhesive Filtration
- Paint Filtration
- Ink Filtration
- Metal Washing

Precision Filtration (Shanghai) Co., Ltd.

No.85 Kanggong Road, Qingpu District, Shanghai 201317, P.R.China
 Tel.: +86-21-5923 8005
 Fax: +86-21-5923 8006
 Email: sales@precisionfiltrationsh.com
 Website: www.precisionfiltrationsh.com



www.precisionfiltrationsh.com
Industrial Liquid Filtration Solutions