



Precision Filtration (Shanghai) Co., Ltd.

Data Sheet • TF Vessel

Industrial Liquid Filtration Solutions



Top Entry Bag Filter Vessel • TF

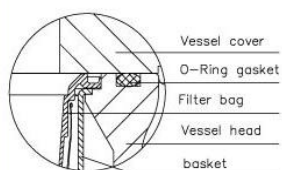
Best bag sealing for most challenging applications!

Top Entry bag filter designed to give you perfect 360 degree sealing of plastic collar fully welded filter bag sit inside the filter to ensure absolute no by pass, it gives you the top performance in your most challenging liquid filtration process. Top Entry bag filter is constructed with modern engineering technology of precision cast stainless steel component to streamline the liquid flow to reduce the pressure loss and minimize unnecessary welding process that make difficulty in filter cleaning.

Features

- Best sealing design suitable critical filtration demand
- Precision casting head to reduce flow pressure loss
- Easy cleaning for your next job
- Design according to ASME standard
- 10 bar operating pressure at 160 Deg C
- Cover firmly seals and holds the filter bag in place
- Four eyebolts for tight closure and stable construction, superior bag sealing with no bypass
- Material of construction: SS304, SS316
- Surface finish: bead blasted or polish

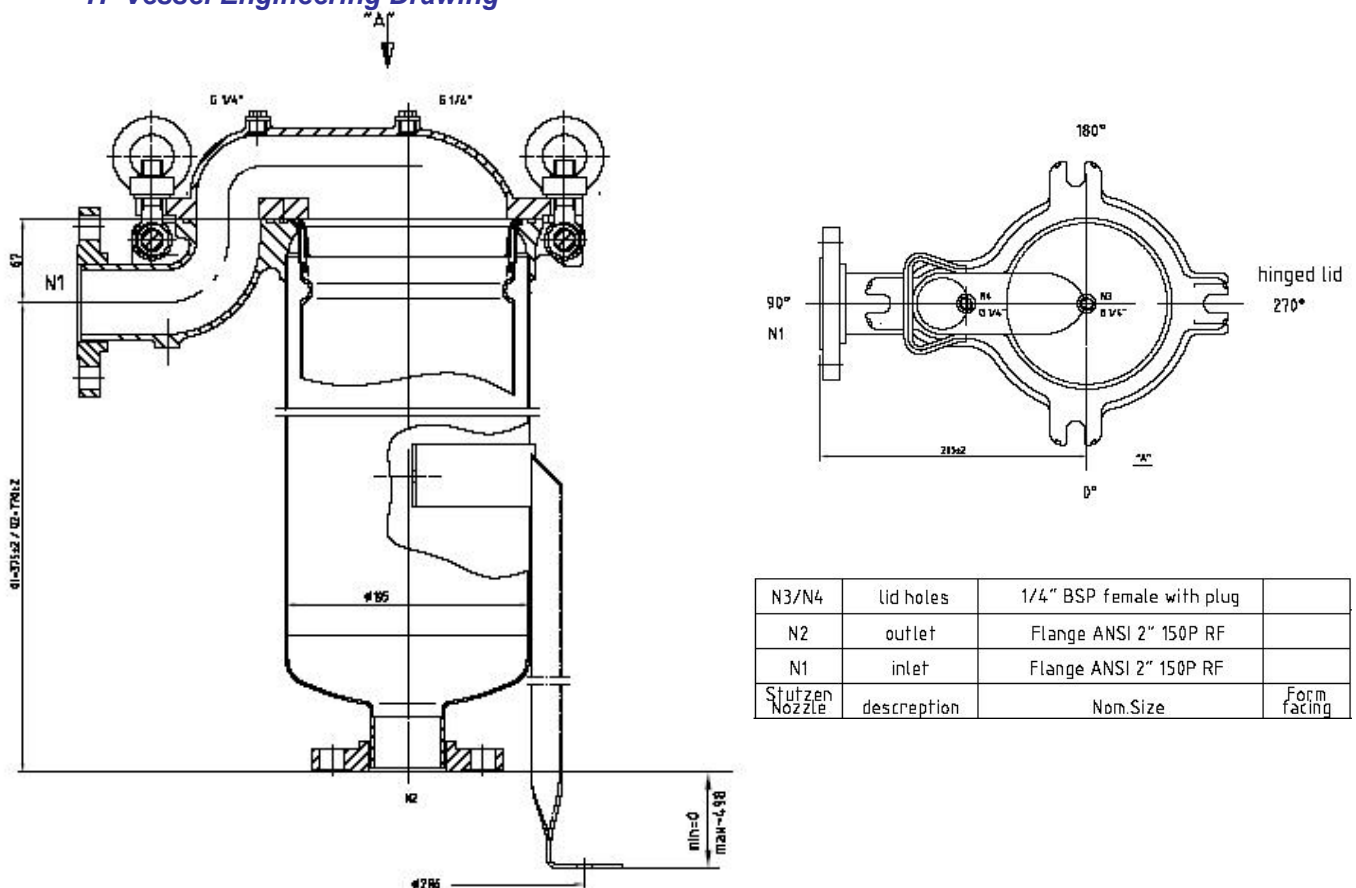
Perfect Sealing



TF Engineering Specifications

Type No.	TF1A1-10-020A	TF1A2-10-020A
Filter Bags Size	# 1	# 2
Filter Area	0.25m ²	0.50m ²
Theoretical Flow Rate	20m ³ /hour	40m ³ /hour
Maximum Operating Pressure	10.0bar	10.0bar
Maximum Operating Temperature	220°C	220°C
Material of Construction	All Wetted Parts Restrainer Basket	Type 304 or 316L stainless steel
Seal Material	Buna, EPDM, Viton, PTFE, Viton+PTFE	
Standard Inlet/Outlet	2" flange	2" flange
Surface Finish	Glass Bead Blasted (standard)	
Filter Volume	13.0 litres	25.0 litres
Housing Weight	20kg (approx.)	25kg (approx.)
Installation Height	98cm (approx.)	181cm (approx.)
Installation Space	50cm x 50cm (approx.)	50cm x 50cm (approx.)

TF Vessel Engineering Drawing



TF Vessel Ordering Information

TF1	A1-	10-	020A
1 - Single Bag Vessel	A - SS304 S - SS316 SL - SS316L	10 Bar 16 Bar	B – BSP Socket N – NPT Socket A - ANSI Flange J - JIS Flange D - DIN Flange
2 - Double Bag Vessel	1 - #1 2 - #2 3 - #3 4 - #4		1.5" - 015 2" - 020

Options

- JIS / DIN flange connection
- Flexible inlet/ outlet orientation
- Heating jacket for high viscosity liquid
- SS304/ SS316L material available

Accessories

- Displacement balloon for easy bag changing
- Magnetic bar for metallic particle retention
- Mesh basket to convert to strainer
- Duo units for double flow also available

Applications

- Chemicals
- Pharmaceutical
- Food & Beverage
- Paint
- Automotive Coating
- Oil Refinery
- Marine
- Water Treatment
- Semiconductors & Electronic
- Solvent Filtration
- Edible Oil Filtration
- Adhesive Filtration
- Paint Filtration
- Ink Filtration
- Metal Washing

Precision Filtration (Shanghai) Co., Ltd.

No.225, Hufa Road, Fengxian District, Shanghai 201415, P.R.China
 Tel.: +86-21-5923 8005
 Fax: +86-21-5923 8006
 Email: sales@precisionfiltrationsh.com
 Website: www.precisionfiltrationsh.com



www.precisionfiltrationsh.com
Industrial Liquid Filtration Solutions