



# Precision Filtration (Shanghai) Co., Ltd.

Data Sheet • MFSB Vessel

Industrial Liquid Filtration Solutions



## Multi Bag Filter Vessel MFSB Series

**Nothing is too large the flow we can't  
handle for your filtration need!**

### Features

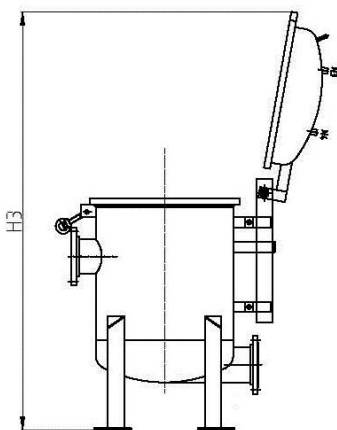
- Unique spring lifting cover opening mechanism
- Individual bag locking to ensure perfect sealing
- Design according to ASME Div VIII section
- Custom made order
- Open and close by spring allows for minimum installation space.

Locating outlet on the bottom side of housing allows the total height 30-50cm lower than standard type housing, thus no foothold or ladder is necessary when replacing filters.

### Options

- JIS / DIN flange connection
- Flexible inlet/ outlet orientation
- SS304/ SS316/ SS316L material available

We offer multi bag vessel from 2 bags to 24 bags per vessel with unique spring aided cover closure design and innovative quick closure design which you can open and close the cover for bag change out in less than 5-10 minutes!



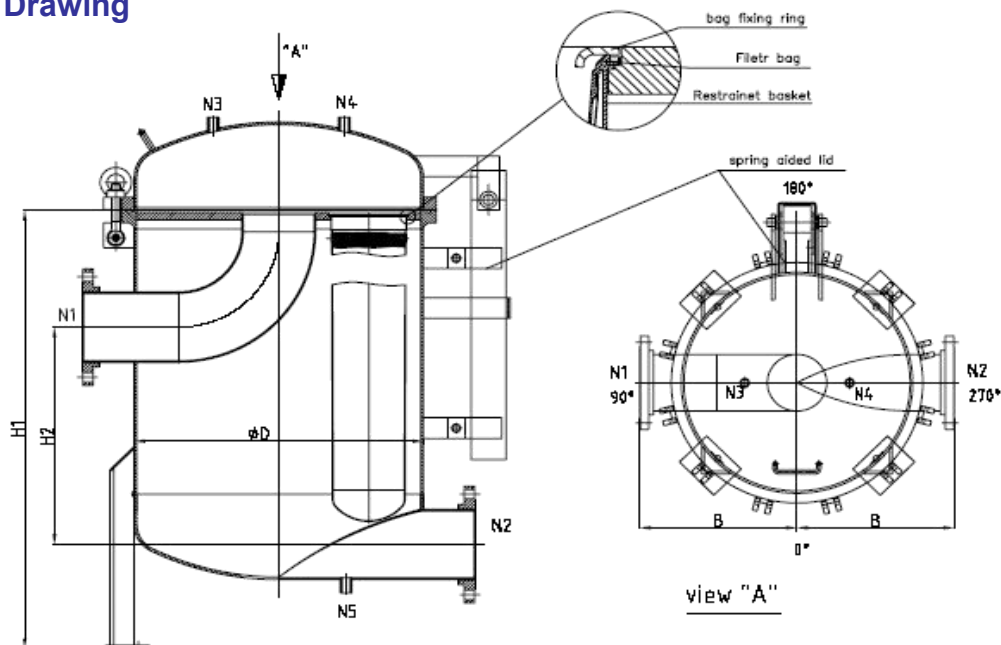
## MF5B Ordering Information

MF4	A2-	10-	040A-SB
No. of Bags per vessel	A - SS304 S - SS316 SL - SS316L	6 Bar 10 Bar 16 Bar 25 Bar	A - ANSI Flange J - JIS Flange D - DIN Flange
3, 4, 5, 6, 8, 10, 12, 14, 16, 18, 20, 22, 24	2 - #2		Flange Size 3", 4", 5", 6", 8", 10", 12", 14".....

## MF5B Engineering Specifications

Type Code	Bag Size	No. of Bags	Flow Rate	Filter Area	Inlet/Outlet
MF4A2-10-040A-SB	# 2	4	160 m <sup>3</sup> /hour	2.0 m <sup>2</sup>	4" flange
MF6A2-10-060A-SB	# 2	6	240 m <sup>3</sup> /hour	3.0 m <sup>2</sup>	4", 6" flange
MF8A2-10-060A-SB	# 2	8	320 m <sup>3</sup> /hour	4.0 m <sup>2</sup>	6", 8" flange
MF10A2-10-080A-SB	# 2	10	400 m <sup>3</sup> /hour	5.0 m <sup>2</sup>	8", 10" flange
MF12A2-10-100A-SB	# 2	12	480 m <sup>3</sup> /hour	6.0 m <sup>2</sup>	10" flange
MF14A2-10-120A-SB	# 2	14	560 m <sup>3</sup> /hour	7.0 m <sup>2</sup>	12" flange
MF16A2-10-120A-SB	# 2	16	640 m <sup>3</sup> /hour	8.0 m <sup>2</sup>	12" flange

## MF5B Drawing



## Precision Filtration (Shanghai) Co., Ltd.

No.225, Hufa Road, Fengxian District, Shanghai 201415, P.R.China  
 Tel.: +86-21-5923 8005  
 Fax: +86-21-5923 8006  
 Email: sales@precisionfiltrationsh.com  
 Website: www.precisionfiltrationsh.com



www.precisionfiltrationsh.com  
 Industrial Liquid Filtration Solutions