



Precision Filtration (Shanghai) Co., Ltd.

Data Sheet • MFDL Vessel

Industrial Liquid Filtration Solutions



Davit Arm Multi-Bag Filter Housing MFDL Series

Nothing is too large the flow we can't
handle for your filtration need!

Features

- Unique spring lifting cover opening mechanism
- Individual bag locking to ensure perfect sealing
- Design according to ASME Div VIII section
- Custom made order

Options

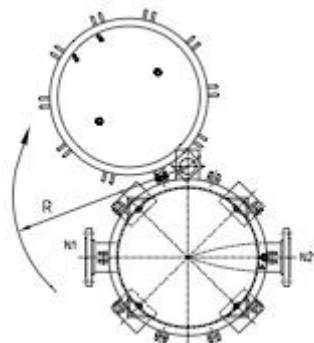
- JIS / DIN flange connection
- Flexible inlet/ outlet orientation
- SS304/ SS316/ SS316L material available



We offer multi bag vessel from 2 bags to 24 bags per vessel with unique spring aided cover closure design and innovative quick closure design which you can open and close the cover for bag change out in less than 5-10 minutes!



Advantages



- Save Head space
- Eliminate the outlet elbow connection, lower vessel height for easy operation

MFDL Ordering Information

MF4	A2-	10-	040A-DL
No. of Bags per vessel	A - SS304 S - SS316 SL - SS316L	6 Bar 10 Bar 16 Bar 25 Bar	A - ANSI Flange J - JIS Flange D - DIN Flange
3, 4, 5, 6, 8,10, 12, 14, 16, 18, 20, 22, 24	2 - #2		Flange Size 3", 4", 5", 6", 8", 10", 12", 14"

MFDL Engineering Specifications

Type Code	Bag Size	No. of Bags	Flow Rate	Filter Area	Inlet/Outlet
MF4A2-10-040A-DL	# 2	4	160 m ³ /hour	2.0 m ²	4" flange
MF5A2-10-040A-DL	# 2	5	200 m ³ /hour	2.5 m ²	4" flange
MF6A2-10-060A-DL	# 2	6	240 m ³ /hour	3.0 m ²	4", 6" flange
MF8A2-10-060A-DL	# 2	8	320 m ³ /hour	4.0 m ²	6", 8" flange
MF10A2-10-080A-DL	# 2	10	400 m ³ /hour	5.0 m ²	8", 10" flange
MF12A2-10-100A-DL	# 2	12	480 m ³ /hour	6.0 m ²	10" flange
MF14A2-10-120A-DL	# 2	14	560 m ³ /hour	7.0 m ²	12" flange
MF16A2-10-120A-DL	# 2	16	640 m ³ /hour	8.0 m ²	12" flange

Precision Filtration (Shanghai) Co., Ltd.

No.225, Hufa Road, Fengxian District, Shanghai 201415, P.R.China
 Tel.: +86-21-5923 8005
 Fax: +86-21-5923 8006
 Email: sales@precisionfiltrationsh.com
 Website: www.precisionfiltrationsh.com



www.precisionfiltrationsh.com
 Industrial Liquid Filtration Solutions